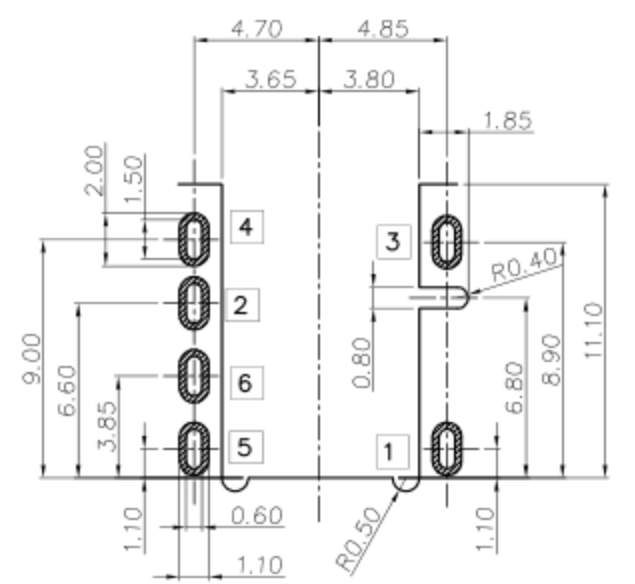
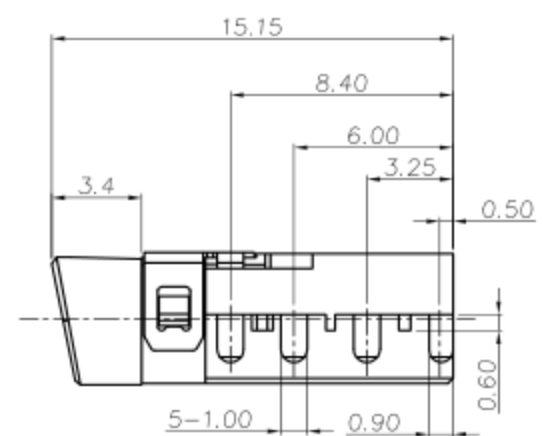
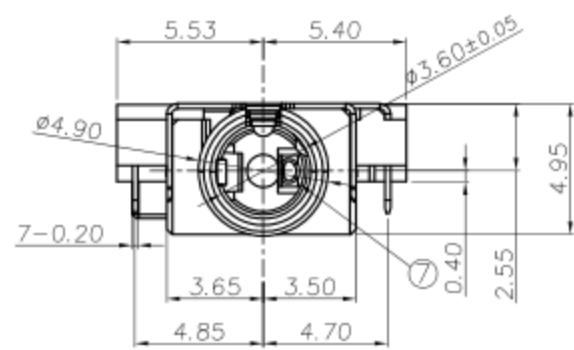
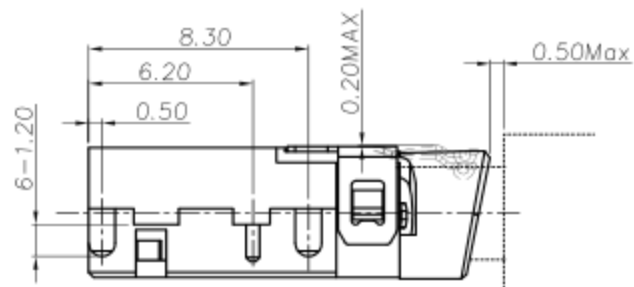
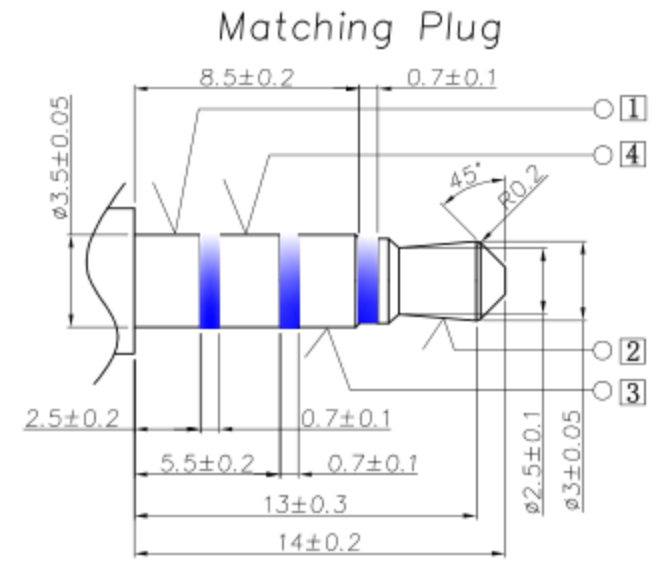
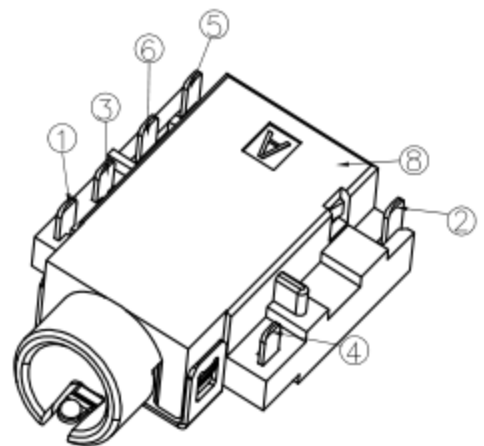
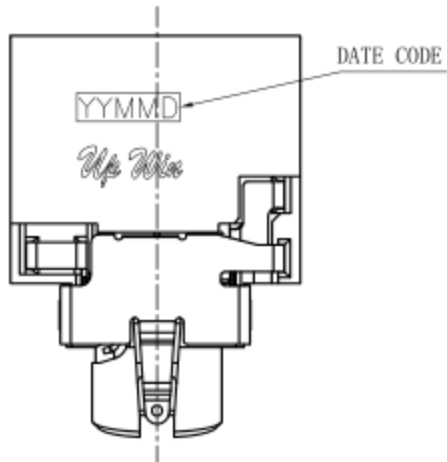


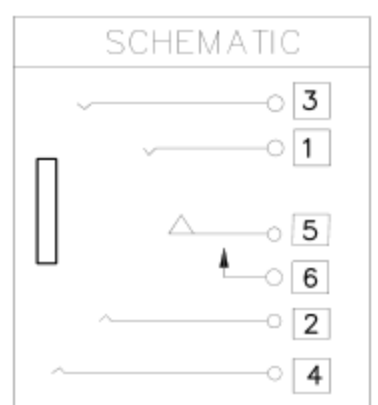
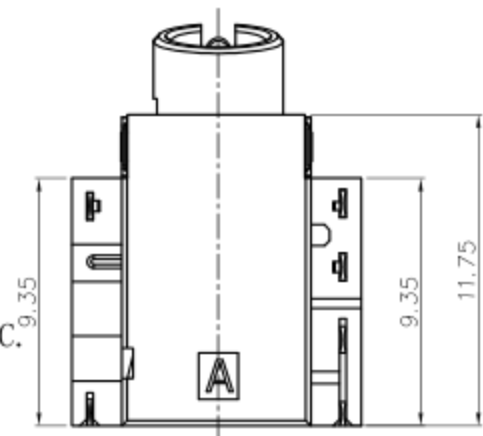
MODEL NO. :
 PJR-D3145K-ABK7AS02L-RH
 (1) (2)(3) (4)(5)(6)

- (1) Series no.
- (2) Schematic type: A
- (3) Housing color:
BK7=Black
- (4) Terminal plating:
AS02=Plating Gold Flash.
- (5) Packing mode:L=Reel packing
- (6) Environmental requirements:
Rh=RoHS 2.0 + Halogen Free



SPECIFICATION:

1. Electrical characteristics
 - 1-1. Current rating: DC 0.5A max.
 - 1-2. Voltage rating: DC 30V.
 - 1-3. Contact resistance: 50mΩ max.
 - 1-4. Insulation resistance: 100MΩ min. at 500V DC.
 - 1-5. Withstanding voltage: 500V AC for 1 minute.
2. Mechanical characteristics
 - 2-1. Life test: 5000 cycles min,
 - 2-2. Mating force: 3~30N,
Unmating force: 3~30N.



NO.	DESCRIPTION	QTY	MATERIAL	REMARK
8	Housing	1	HIGH TEMPERATURE PLASTIC	Black
7	Insulator	1	HIGH TEMPERATURE PLASTIC	Black
6	Shunt terminal	1	Phosphor bronze, 0.20t	Gold Flash On Contact And Solder Tail Area, All over 40u" Min Nickel Plated.
5	Transfer Spring	1	Phosphor bronze, 0.20t	
4	Ring spring	1	Phosphor bronze, 0.20t	
3	Ring spring	1	Phosphor bronze, 0.20t	Gold Flash On Contact Area Tin Plating on Solder Tail Area, All over 40u" Min Nickel Plated.
2	Tip spring	1	Phosphor bronze, 0.20t	
1	Earth spring	1	Phosphor bronze, 0.20t	

ECN NO.	REV	DATE	DESCRIPTION	CHANGE	APPRO.	GENERAL TOLERANCE UNLESS OTHERWISE NOTED	SCALE: 1:1	UNIT:mm	A4
	A-0	2018.08.11	NEW	罗振强	李海鹏	Angle ±2° .x ±0.35 .xx ±0.25 .xxx ±0.10	DESIGN 罗振强 2018.08.11		
							CHECK		
							APPROVAL		

CUSTOMER DRAWING		TITLE:	ø3.5mm PHONE JACK
		MODEL NO.	PJR-D3145K-ABK7AS02L-RH
		FILE NO.	Q/DY. QW-001A-0XXX